



# SMD GEARBOX

## SMD

BRILLIANTLY AGILE!



# HIGH PRECISION SERVO GEARBOX



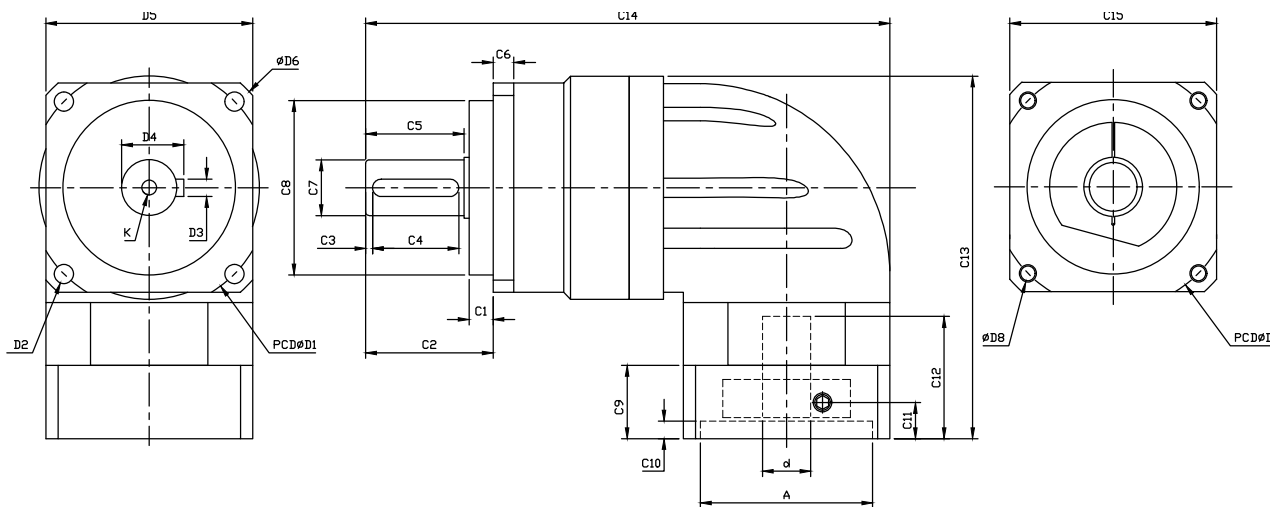
## SRAE Series

Right Angle Gearbox with Shaft Output  
Square Frame- Helical Gears



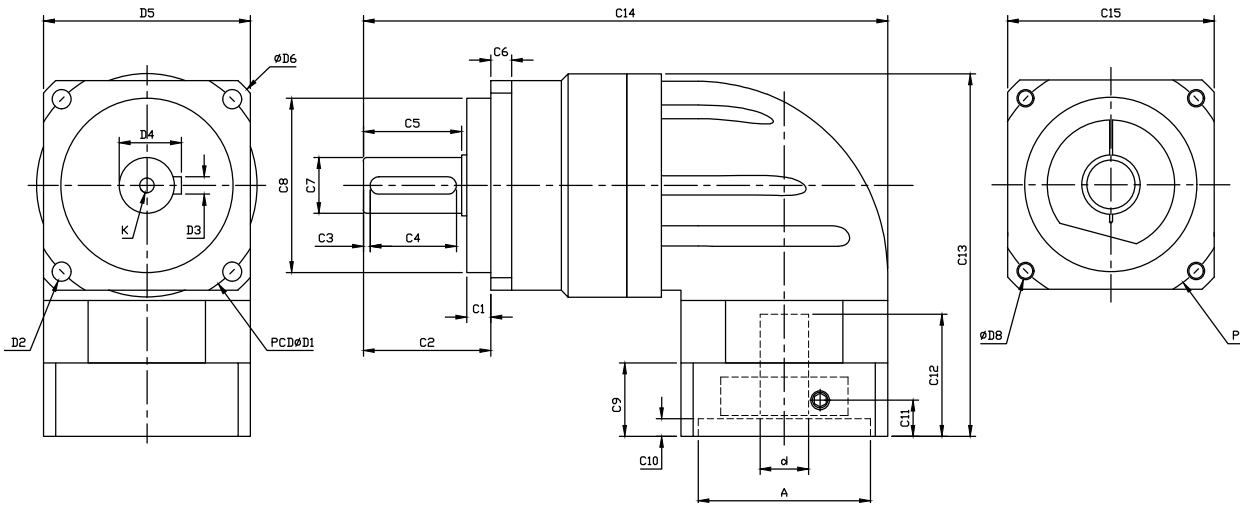
Specification	Stage	Ratio	SRAE060	SRAE090	SRAE115	SRAE140	SRAE180
<b>Nominal output torque (Nm)</b>	1	3	36	90	195	342	588
		4	48	120	260	520	1040
		5	60	150	325	650	1200
		6	55	150	310	600	1100
		7	50	140	300	550	1100
		8	45	120	260	500	1000
		10	40	100	230	450	900
		12	55	150	310	600	1100
		14	50	140	300	550	1100
		20	40	100	230	450	900
	2	15	60	150	325	650	1200
		25	60	150	325	650	1200
		30	55	150	310	600	1100
		35	50	140	300	550	1100
		40	45	120	260	500	1000
		45	40	100	230	450	900
		50	60	100	230	650	1200
		60	55	150	310	600	1100
		70	50	140	300	550	1100
		80	45	120	260	500	1000
90	40	100	230	450	900		
100	40	100	230	450	900		
120	55	150	310	600	1100		
140	50	140	300	550	1100		
160	45	120	260	500	1000		
200	40	100	230	450	900		
<b>Emergency stop torque (Nm)</b>	1,2	3-200	3 times the nominal output torque				
<b>Rated input speed (rpm)</b>	1,2	3 ~ 200	5000	4000	4000	3000	3000
<b>Maximum input speed (rpm)</b>	1,2	3-200	10000	8000	8000	6000	6000
<b>Standard backlashP2 (arcmin)</b>	1	3~20	≤10	≤10	≤10	≤10	≤10
	2	15-200	≤13	≤13	≤13	≤13	≤13
<b>Torsional rigidity (Nm/arcmin)</b>	1,2	3 ~ 200	7	14	25	50	145
<b>Allowable radial force (N)</b>	1,2	3-200	1530	3250	6700	9400	14500
<b>Allowable axial force(N)</b>	1,2	3~200	765	1625	3350	4700	7250
<b>Lifespan (hr)</b>	1,2	3-200	20000 at nominal output torque				
<b>Efficiency (%)</b>	1	3~20	≥95%				
	2	25-200	≥92%				
<b>Weight (Kg)</b>	1	3~20	1.5	6.4	13	24.5	51
	2	25~200	2.1	7.8	14.2	27.5	54
<b>Working temperature (°C)</b>	1,2	3-200	(-10° C +90° C )				
<b>Lubricating</b>			Synthetic lubricating grease				
<b>IP Grade</b>	1,2	3-200	IP65				
<b>Noise (dB)</b>	1,2	3-200	≤63	≤65	≤68	≤70	≤72

Dimension(single stage,Ratio i=3 to 20)



Dimension	SRAE060	SRAE090	SRAE115	SRAE140	SRAE180
D1	70	100	130	165	215
D2	4-5.5	4-6.6	4-9	4-11	4-13.5
D3	5	6	10	12	16
D4	18	24.5	35	43	59
D5	60	90	115	140	180
D6	80	116	152	185	240
D7	70	90	145	200	200
D8	4-M4	4-M5	4-M8	4-M12	4-M12
C1	7	10	7	13	20
C2	37	48	60	95	105
C3	2	3	5	5	6
C4	25	32	40	63	70
C5	28.5	36.5	51	79	82
C6	6	8	10	12	15
C7	16	22	32	40	55
C8	50	80	110	130	160
C9	-	-	-	-	-
C10	5	8	14	19	15
C11	11.5	14.5	27	32	65
C12	35	43	71	86	119
C13	103.9	137.1	189	238	295.5
C14	152.2	205	259	347	394
M	M5	M8	M12	M16	M20
A	50	70	110	114.3	114.3
d	14	19	24	35	42

Dimension(Double stage,Ratio i=15 to 200)



Dimension	SRAE060	SRAE090	SRAE115	SRAE140	SRAE180
D1	70	100	130	165	215
D2	4-5.5	4-6.6	4-9	4-11	4-13.5
D3	5	6	10	12	16
D4	18	24.5	35	43	59
D5	60	90	115	140	180
D6	80	116	152	185	240
D7	70	100	130	165	215
D8	4-M4	4-M5	4-M8	4-M12	4-M12
C1	7	10	7	13	20
C2	37	48	60	95	105
C3	2	3	5	5	6
C4	25	32	40	63	70
C5	28.5	36.5	51	79	82
C6	6	8	10	12	15
C7	16	22	32	40	55
C8	50	80	110	130	160
C9	-	-	-	-	-
C10	5	8	14	19	15
C11	11.5	14.5	27	32	65
C12	35	43	71	86	119
C13	103.9	137.1	189	238	295.5
C14	184.2	242.5	304	408	431.5
M	M5	M8	M12	M16	M20
A	50	70	110	114.3	114.3
d	14	19	24	35	42

# SMD Servo Gearbox

## 4 Reasons to Increase 50% Production



**LOW VIBRATION**



**INCREASES MACHINE WORKING  
SPEED & STABILITY**



**EXCLUSIVE PRODUCT,  
BACKLASH 1 ACR-MIN**



**INCREASE PRODUCTION  
EFFICIENCY & QUALITY**



Planetary Gearbox with  
Flange End – SPF



Harmonic Gearbox with  
Hollow Bore End – SSHG

## GET IN TOUCH



### HEADQUARTERS

**SMD Gearbox (Taiwan)**

5F. No. 232, Sec.3, Zhongshan Rd,  
Taichung City, Taiwan - 41171.

+886 933510083

### HEAD OFFICE (OVERSEAS)

**SMD Gearbox (India)**

A-51, H Block, M. I. D. C., Pimpri-Chinchwad  
Pune, Maharashtra, India - 411018.

+91 70306 69818

+91 020-46212730

### OVERSEAS OFFICE (THAILAND)

**SMD Gearbox Co. Limited.**

1500 Moban Pairoj, Krongkar 5,  
Soi 3, Bangna Trad, Bangna,  
Bangkok 10260, Thailand.

+66 94 991 2346

[sales@smdgearbox.com](mailto:sales@smdgearbox.com)

[www.smdgearbox.com](http://www.smdgearbox.com)